

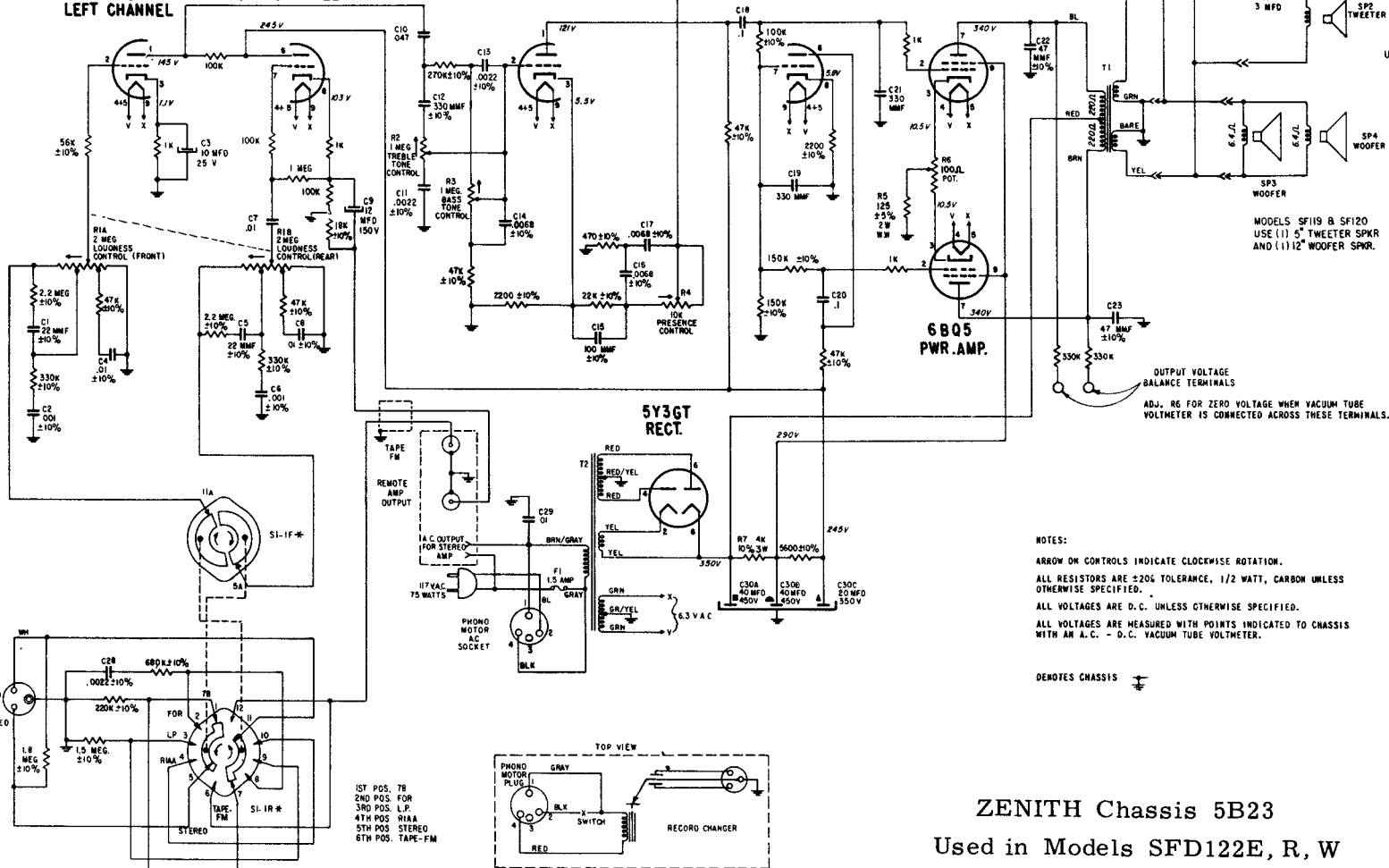
**1/2 12AX7
1ST AUDIO
LEFT CHANNEL**

**1/2 12AX7
1ST AUDIO
RIGHT CHANNEL**

**1/2 12AU7
2ND AUDIO**

**1/2 12AU7
PHASE INV.**

**6BQ5
PWR. AMP.**



MODEL SF125
USES 4 SPEAKERS
AS SHOWN

MODELS SF119 & SF120
USE (1) 5" TWEETER SPKR
AND (1) 12" WOOFER SPKR.

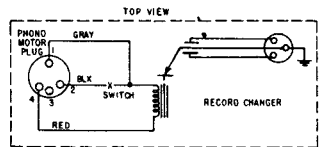
OUTPUT VOLTAGE
BALANCE TERMINALS
ADJ. R6 FOR ZERO VOLTAGE WHEN VACUUM TUBE
VOLTMETER IS CONNECTED ACROSS THESE TERMINALS.

NOTES:
ARROW ON CONTROLS INDICATE CLOCKWISE ROTATION.
ALL RESISTORS ARE ±20% TOLERANCE, 1/2 WATT, CARBON UNLESS
OTHERWISE SPECIFIED.
ALL VOLTAGES ARE D.C. UNLESS OTHERWISE SPECIFIED.
ALL VOLTAGES ARE MEASURED WITH POINTS INDICATED TO CHASSIS
WITH AN A.C. - D.C. VACUUM TUBE VOLTMETER.

⊥ DENOTES CHASSIS

*-ROTOR BLADES ON OPPOSITE SIDES
ELECTRICALLY CONNECTED ON SI-1F
AND SI-1R

1ST POS. 7R
2ND POS. FOR
3RD POS. L.F.
4TH POS. R1A &
5TH POS. STEREO
6TH POS. TAPE-FM



ZENITH Chassis 5B23
Used in Models SFD122E, R, W

ZENITH Chassis 5B23 used in Models SFD122E, R, W